

JAIPUR ENGINEERING COLLEGE AND RESEARCH CENTRE
Department of Electronics and Communication Engineering

20-01-2020

From: Bhramann. JECRC	TO: Principal office
------------------------------	-----------------------------

Seeking Approval for Industrial Visit

Respected Sir,

Team Brahman is planning to organize seven days industrial visit of Branch ECE, EE, CSE and IT at Microtek and Milestone gear private limited at Parwanoo, Himachal Pradesh.

The industrial visit will held between 14th February and 20th February 2020. This industry visit will be helpful for students to understand the work environment and culture of the industry.

I request to kindly allow us to conduct the industrial visit.



20-01-20

Team Bhramann

JAIPUR ENGINEERING COLLEGE AND RESEARCH CENTRE
Department of Electronics and Communication Engineering

22-01-2020

From: Bhramann. JECRC	TO: Students
------------------------------	---------------------


Industrial Visit

Notice

All the Students of 3rd year for branches ECE, CSE, IT and EE department are hereby informed that Team bhramann of JECRC, is organizing seven day industrial tour to at Microtek and Milestone gear private limited at Parwanoo, Himachal Pradesh. The industrial visit will held between 14th February and 20th February 2020.

All the interested student may contact to Mr. Naresh Kumar in room number BG-14.

Only Limited seats are available.


20-01-20

Team Bhramann

“Chandigarh- Dalhousie -Dharamshal-Mcleodganj”

- **Duration** 6 Nights / 7 Days
- **Destination:** Punjab & Himachal Pradesh
- **Cost** 8000/-Rs Per student

Day1.(14 Feb 2020) JAIPUR – CHANDIGARH

Arrive at Jaipur Railway Station at 7 Pm. Board in Train (8.10 Pm Jp Cdg Garib Rath 12983) & o/n Journey for Chandigarh.

DAY 2.(15 Feb 2020) CHANIDGARH - DALHOUSIE O/N JOURNEY

Morning 6.45 am Reach Chandigarh railway station board in Bus & proceed for hotel On arrival check in at hotel after fresh n change & breakfast proceed for Industrial visit back to hotel for lunch after lunch enjoy Chandigarh sightseeing like- Rose Garden, Rock Garden, Sukna Lake, 22 market etc evening after dinner o/n Journey for Dalhousie.

Meal- Breakfast/Lunch/Dinner

DAY 03.(16 Feb 2020) DALHOUSIE

Morning Reach Dalhousie on arrival check in hotel after breakfast, Few Rest & Lunch visit -- St John’s Church, St Francis’s Church ,Mall Road Etc evening back to hotel after dinner o/n stay at hotel.

Meal- Breakfast/Lunch/Dinner

DAY 04.(17 Feb 2020) DALHOUSIE –DHARAMSHALA(McLEDOGANJ)

Morning after breakfast checkout from hotel & proceed for Mcleodganj on arrival check inn hotel after lunch visit Local market evening back to hotel after dinner o/n stay at hotel.

Meal- Breakfast/Lunch/Dinner

DAY 05. (18 Feb 2020)-MCLEODGANJ-DHARAMSHALA-MCLEODGANJ

Morning after breakfast visit HPCA Stadium & War Memorial , back to hotel for lunch after lunch visit Bhagsu Temple, Bhagsu Waterfall ,Tibetan Museum, Namgyal Monastery etc evening back to hotel after dinner o/n stay at hotel.

Meal-Breakfast/Lunch/Dinner

DAY 06.(19 Feb 2020) MCLEODGANJ-CHANDIGARH (250 Km)

Morning after breakfast check out from hotel & Proceed for Chandigarh Railway station(in route lunch in local Restaurant) board in train (7.40 Pm Cdg Jp Garib Rath 12984) with pack dinner & o/n journey for Jaipur.

Meal-Breakfast/Lunch/Dinner

DAY 07. (20 Feb 2020) Jaipur

Morning 6.15 am reach Jaipur railway station. .

Tour End with Happy Memories

NOTE- EARLY CHECK INN & LATE CHECKOUT IS SUBJECT TO AVAILABILITY OF ROOMS.

INDUSTRY (ANY 1-2) OR SIMILAR

CIVIL

- AMBUJA CEMENT
- ACC CEMENT
- CONSTRUCTION SITE
- R.S GREEN INFRA INDIA PVT LTD

MECHANICAL

- INDO FARM
- JCB
- MICRO TURNER
- INDO POWER
- JUPITAR SOLAR POWER LIMITED
- BOSH POWER TOOLS

ELECTRONIC

- PHILLIPS (ELIN APPLIANCE),
- PARISHRAM APPLIANCE
- BCC FUBA (PCB)
- INTEX (MOBILE ACCESSORIES),
- MARKSON (LD TV, MONITORS)
- WEP PRINTER (COMPUTER PRINTERS),
- JUPITAR SOLAR POWER LIMITED

ELECTRICAL

- SUNFLAME (KANZ ELECTRICAL)
- SUKAM
- HAVELLS
- PARISHRAM APPLIANCES

COMPUTER SCIENCE

- BCC FUBA
- INTEX
- VISUAL MEDIA
- WEB PRINTERS
- C-DAC INSTITUTE

INCLUSION

1. HOTEL ACCOMMODATION 3 STAR AT 4 SHARING
2. TRANSPORTATION (NON AC)
3. BREAKFAST LUNCH & DINNER
4. RETURN TRAIN TICKET 3 TIRE AC
5. INDUSTRY VISIT
6. ALL MAJOR SIGHT SEEING
7. 1 BOTTLE MINERAL WATER DURING BUS JOURNEY
8. 1 DJ PARTY
9. 1 BORN FIRE
10. FIRST AID KIT
11. ON THE WAY MEAL
12. ONLY TEACHER WILL BE COMPLIMENTARY 15:1
13. GUIDE SERVICE
14. TRAVEL INSURANCE TILL 1 LAKH
15. TOLL TAX PARKING DRIVERS ALLOWANCES

COST DOES NOT INCLUDE

1. 5 % GST
2. ANY PORTER CHARGES.
3. ANY PERSONAL NATURE EXPENDITURE LIKE HORSE RIDING , BOOT COAT , BOAT RIDE ,RIVER RAFTING
4. ANYTHING NOT MENTIONED UNDER COST INCLUDED ITEMS
5. ANY USES IN THE HOTEL LIKE TELEPHONE, LAUNDRY.
6. ANY DAMAGE/DESTROY IN THE HOTEL ROOM BY CLIENTS, WILL BE DIRECTLY CHARGEABLE TO CLIENTS

PAYMENT TERMS:

1. 50% OF THE COMPLETE PACKAGE AMOUNT (PERTAINING TO THE MINIMUM GUARANTEE OF STUDENT COUNT) AT THE TIME OF BOOKING OF THE PACKAGE;
2. 40% OF THE REST AMOUNT TO BE PAID 15 DAYS BEFORE THE DATE OF DEPARTURE
3. 10% OF THE REST AMOUNT TO BE PAID WITHIN 7 DAYS OF COMPLETION OF TOUR.

CANCELLATION CHARGES/POLICY:

1. CANCELLATION BEFORE 15 DAYS BEFORE DEPARTURE DATE A CANCELLATION CHARGE OF 25% OF THE TOTAL TOUR PACKAGE AMOUNT.
2. CANCELLATION BEFORE 3 DAYS AND UP TO 15 DAYS BEFORE DEPARTURE DATE A CANCELLATION CHARGE OF 50% OF THE TOTAL PACKAGE AMOUNT.
3. NO SHOW OR CANCELLATION UP TO 3 DAYS BEFORE DEPARTURE DATE A CANCELLATION CHARGE OF 100% OF THE TOTAL PACKAGE AMOUNT.

TERMS AND CONDITIONS:

1. Rates mentioned in this contract are applicable only for this Conference/Leisure Trip/Offsite/Training Program/Event to be held on the date mentioned in this proposal.
2. Early check-in and late check-out will be charged additionally as per subject to the hotel policies. If there be any reduction in the minimum guaranteed number of pax, Travel12go.
3. Travel12go will charge on the minimum guaranteed number of pax as per the contract and if the number of pax increases, then the billing will be done on the actual number of pax.
4. We would require the signed copy of the contract along with advance payment on the day of signing this contact.
5. We would require the request for additional services if there any, in writing before 10 days from the departure date of Conference/Leisure Trip/Offsite/Training Program/Event and it will be charged extra.
6. All Government policies/regulations prevalent during the time of signing the contract will apply. Travel12go will not be held responsible for any subsequent changes in the government policies, rules and/or regulations. Although no effort will be spared to provide the requested services, travell2go only as agent for Transportation Companies, Hotels, Car operators, Raft operators, DJs,

7. Travel12go reserves the right without being liable for any loss or damage, to change the itinerary with or without notice and at its sole discretion, if found to be in the best interest of all concerned.
8. All disputes will be settled subject to the jurisdiction of rajasthan Courts as per the Laws Prevalent in India at the time of signing the contract.
9. Stage makers, dancer, celebrities and all other contractors, and will therefore have to disclaim responsibility for:
 - i. Any loss, damage or miss-happening what so ever to any person, luggage or property during the entire journey or at the place of stay or during sightseeing or any adventure or other activity.
 - ii. Delay or alteration in programs or expenses due to unforeseen circumstances.
 - iii. Strikes, vehicle breakdown, sickness, or civil unrest and other problems beyond the control of the company



Date: 08/02/2020.

Ref: _____

UNDERTAKING LETTER - FACULTY

We here by undertake that the Industrial Tour to Himachal Pradesh from 14th February 2020 to 20th February 2020 is purely academic related and at any case.

We shall undertake full responsibility of the student's actions and behavior at all times during the course of Industrial Tour. We further undertake not to breach the safety guidelines of the JECRC College at any cost.

S.No.	Employment Id.	Name	Signature
1.	EC0101	Mr. ^H Boopesh Kumawat	
2.	CS0090	Mr. Anoop Mehta	
3.	EC0124	Mrs. Yogita Taluja	
4.	CS0091	Miss. Priyanka Mitra	





JAIPUR ENGINEERING COLLEGE
AND RESEARCH CENTRE

Ref: JECRC/2020/IT/002

Date: 12/02/2020

To

The HR Manager

MICROTEK,
PABWANDU, HP.

SUB: Permission for Industrial Visit – B.Tech

Sir/Madam,

As you may be aware, Jaipur Engineering College & Research Centre, Jaipur is one of the most reputed engineering institutions in Rajasthan and known for its excellent record in academics and co-curricular activities. The college offers bachelors degree course in ECE, EE, CSE, ME and IT branch. The state of art facilities and competent faculty provide an excellent climate for the all round development of students.

As a part of the curriculum, the students are required to undertake industrial visits to few industries of repute. It will be fruitful for students with academic background to have a glimpse of the industry in order to have a better knowledge of practical applications of theory. In the above background we would like to send a batch of about 51 students accompanied by 4 faculty members to visit your esteemed industry.

We kindly request you to accord the necessary permission for the above visit and arrange for guiding the students. We assure you that our students will follow the rules and regulations that are prescribed by your company for the visitors and will in no way disturb the functioning of the company during their visit. We shall be grateful for a favorable response.

Thanking you,

Yours faithfully,
(Signature)
12/02/2020

Training and Placement Coordinator
(NARGESH KUMAR)

*Students visited at Plant
on 15/02/2020
for MICROTEK Enterprises
Raj. Chohan
15/02/20*



Jaipur Engineering College and Research Centre
Approved by AICTE & Affiliated to RTU
JECRC Campus, Shri Ram Ki Nangal,
Via Sitapura RHCO, Opp. EPIP Gate, Tonk Road, Jaipur 302 022
t: 0141 2770120, 2770232 e: info@jecrcmail.com



JAIPUR ENGINEERING COLLEGE
AND RESEARCH CENTRE

Ref: JECRC/IV/2019/042

Date: 20-02-19

To

The HR Manager

MILESTONE GEARS PVT. LTD.

IND. AREA, SEC-1, PARWANOO (H.P.)

SUB: Permission for Industrial Visit – B.Tech

Sir/Madam,

As you may be aware, **Jaipur Engineering College & Research Centre, Jaipur** is one of the most reputed engineering institutions in Rajasthan and known for its excellent record in academics and co-curricular activities. The college offers bachelors degree course in ECE, EE, CSE, IT, CE and ME branches. The state of art facilities and competent faculty provide an excellent climate for the all round development of students.

As a part of the curriculum, the students are required to undertake industrial visits to few industries of repute. It will be fruitful for students with academic background to have a glimpse of the industry in order to have a better knowledge of practical applications of theory. In the above background we would like to send a **batch of about 44 students accompanied by 3 faculty members** to visit your esteemed industry.

We kindly request you to accord the necessary permission for the above visit and arrange for guiding the students. We assure you that our students will follow the rules and regulations that are prescribed by your company for the visitors and will in no way disturb the functioning of the company during their visit. We shall be grateful for a favorable response.

Thanking you,

Yours faithfully,

20-02-19

Training and Placement Coordinator
(AAPURVA KAUL)

*Students visited our faculty,
on 23/02/19.*



JECRC Foundation
www.jecrcfoundation.com

Jaipur Engineering College and Research Centre

Approved by AICTE & Affiliated to RTU | Running NBA accredited courses

JECRC Campus, Shri Ram Ki Nangal,

Via Sitapura RIICO, Opp. EPIP Gate, Tonk Road, Jaipur 302 022

t: 0141 2770120, 2770232 f: 0141 2770803 e: info@jecrcmail.com



JAIPUR ENGINEERING COLLEGE
AND RESEARCH CENTRE

Ref: JECRC/TB/IT/2020/608

14/02/2020

Letter of Undertaking for Industrial Tour

To,
The Principal,
JECRC College,
Jaipur.

Dear Sir,

SUB: Submission of "Industrial Tour Undertaking- Himachal Pradesh"

We, Mr. Ved Prakash Goyal & Mrs. Himani Goyal parents of Ujjwal Goyal bearing RTU Roll No 17EJECR123 studying in VI Semester, Department of IT in JECRC College, Jaipur here with voluntarily submitting the under taking.

We, the undersigned parents/guardian are aware that, our son/daughter is participating in the industrial tour organized by the Institute scheduled during 14/02/2020 to 20/02/2020 with our full acceptance and will be bearing all the expenditure incurred for the industrial tour towards travel and other expenses from our end.

We shall ensure that our son/daughter shall abide by the college terms and conditions for industrial tour.

We hereby declare and confirm that the college shall not be held responsible in the event of any misfortune or accidents and/or personal injuries whether fatal or otherwise involving our son/daughter.

We shall undertake full responsibility of all the consequences should any other person or body suffer such accidents and/or personal injuries and/or damage to property as a result of our son/daughter negligent act during the period of industrial tour.

We further confirm that the college shall not be held responsible for our son/daughter misconduct or wrongdoing at all times during the period of industrial tour and shall obey the instructions of the faculty members who are accompanying during the industrial tour.

Yours sincerely

Ved Prakash Goyal
Himani

(Signature of Both the Parents/ Guardian)

Name of the Father: Mr. Ved Prakash Goyal

Contact No: 91 96949 73000

Name of the Mother: Mrs. Himani Goyal

Contact No: 91 96949 74000

Name of the Guardian: _____

Contact No: _____

period: _____

Year: _____



JECRC Foundation
www.jecrcfoundation.com

Jaipur Engineering College and Research Centre
Approved by AICTE & Affiliated to RTU
JECRC Campus, Shri Ram Ki Mangal,
Via Sitapura BICO, Opp. EPIP Gate, Tonk Road, Jaipur 302 022
t: 0141 2770120, 2770232 e: info@jecrcmail.com



JAIPUR ENGINEERING COLLEGE
AND RESEARCH CENTRE

Ref: JECRC/TB/IT/2020/608

Date: 08/02/2020

Letter of Undertaking for Industrial Tour

To,
The Principal,
JECRC College,
Jaipur.

Dear Sir,

SUB: Submission of "Industrial Tour Undertaking- Himachal Pradesh"

We, Mr. Tuilot Kishanandani & Mrs. Lalita Sukliya parents of Saumya Kishanandani
bearing RTU Roll No. HEJCE2165 studying in VI -Semester, Department of C&E in JECRC College,
Jaipur here with voluntarily submitting the under taking.

We, the undersigned parents/guardian are aware that, our son/daughter is participating in the industrial tour organized by the Institute scheduled during 14/02/2020 to 20/02/2020 with our full acceptance and will be bearing all the expenditure incurred for the Industrial tour towards travel and other expenses from our end.

We shall ensure that our son/daughter shall abide by the college terms and conditions for industrial tour.

We hereby declare and confirm that the college shall not be held responsible in the event of any misfortune or accidents and/or personal injuries whether fatal or otherwise involving our son/daughter.

We shall undertake full responsibility of all the consequences should any other person or body suffer such accidents and/or personal injuries and/or damage to property as a result of our son/daughter negligent act during the period of industrial tour.

We further confirm that the college shall not be held responsible for our son/daughter misconduct or wrongdoing at all times during the period of industrial tour and shall obey the instructions of the faculty members who are accompanying during the industrial tour.

Yours sincerely,

(Signature of Both the Parents/ Guardian)

Name of the Father: Tuilot Kishanandani

Contact No: 7665024575

Name of the Mother: Lalita Sukliya

Contact No: 9462323244

Name of the Guardian: _____

Contact No: _____

Period: _____

Year: _____



JECRC Foundation
www.jecrcfoundation.com

Jaipur Engineering College and Research Centre
Approved by AICTE & Affiliated to RTU
JECRC Campus, Shri Ram Ki Nangal,
Via Sitapura Rilco, Opp. EPIP Gate, Tonk Road, Jaipur 302 022
t: 0141 2770120, 2770232 e: info@jecrcmail.com



JAIPUR ENGINEERING COLLEGE
AND RESEARCH CENTRE

Ref: JECRC/TB/IT/2020/608

Date: 08/02/2020

Letter of Undertaking for Industrial Tour

To,
The Principal,
JECRC College,
Jaipur.

Dear Sir,

SUB: Submission of "Industrial Tour Undertaking- Himachal Pradesh"

We, Mr. GOPAL POPLI & Mrs. PRANITA HADA parents of TUSHAR HADA
bearing RTU Roll No 17EJCCS182 studying in 6 -Semester, Department of CSE in JECRC College,
Jaipur here with voluntarily submitting the under taking.

We, the undersigned parents/guardian are aware that, our son/daughter is participating in the industrial tour organized by the Institute scheduled during 14/02/2020 to 20/02/2020 with our full acceptance and will be bearing all the expenditure incurred for the Industrial tour towards travel and other expenses from our end.

We shall ensure that our son/daughter shall abide by the college terms and conditions for industrial tour.

We hereby declare and confirm that the college shall not be held responsible in the event of any misfortune or accidents and/or personal injuries whether fatal or otherwise involving our son/daughter.

We shall undertake full responsibility of all the consequences should any other person or suffer such accidents and/or personal injuries and/or damage to property as a result of our son/daughter negligent act during the period of industrial tour.

We further confirm that the college shall not be held responsible for our son/daughter misconduct or wrongdoing at all times during the period of industrial tour and shall obey the instructions of the faculty members who are accompanying during the industrial tour.

Yours sincerely,

(Signature of Both the Parents/ Guardian)

Name of the Father: GOPAL POPLI

Contact No: 9929688044

Name of the Mother: PRANITA HADA

Contact No: 8941946044

Name of the Guardian: _____

Contact No: _____

period: _____

Year: _____



JECRC Foundation
www.jecrcfoundation.com

Jaipur Engineering College and Research Centre
Approved by AICTE & Affiliated to RTU
JECRC Campus, Shri Ram Ki Nangal,
Via Sitapura RHCO, Opp. EPIP Gate, Tonk Road, Jaipur 302 022
t: 0141 2770120, 2770232 e: info@jecrcmail.com



UNITED INDIA INSURANCE COMPANY LIMITED

JANGID BUILDING MI ROAD, JAIPUR JAIPUR, JAIPUR, RAJASTHAN

JAIPUR - 302001 RAJASTHAN

PH: (0141) 2362803 FAX: EMAIL:

GROUP MARGABANDHU POLICY
UIN NO. IRDAI/HLT/UII/P-P/V.I/26/2015-16
POLICY NO.: 1403014219P114734513

PERIOD OF INSURANCE
FROM 16:00Hrs of 14/02/2020
To MIDNIGHT of 14/03/2020

Insured

M/s JECRC FOUNDATION

SHRI RAM KI NAGAL VIA SITAPURA RIICO TONK ROAD, SUKHPURA BAMBALA

302022
15017
RAJASTHAN

IMPORTANT NOTICE: KINDLY UPDATE YOUR AADHAAR NO. AND PAN/FORM 60. PLEASE IGNORE IF ALREADY UPDATED.

Agent Name : NIRAJ JAIN
Agent Code : AGD0085198
Mobile/Landline Number/Email : 9829206090
: niraj.jain181@gmail.com

The genuineness of the policy can be verified through "Verify Your Policy" link at www.uiic.co.in.

For any Information, Service Requests, Claim intimation and Grievances please write to 140301@uiic.co.in

Regd Office: 24 Whites Road, Chennai-600014, **Head Office:** No.19, Lane IV, Nungambakkam High Road, Chennai-600034.

Website: <http://www.uiic.co.in>

Printed By : SUR42230 @ 14/02/2020 1:35:59 PM



**GROUP MARGABANDHU POLICY SCHEDULE
UIN NO. IRDAI/HLT/UII/P-P/V.I/26/2015-16**

Policy No. :	1403014219P114734513	Previous Policy No.	
Customer Name/ID :	M/s JECRC FOUNDATION /23079245733		
Tel.(O) :		Fax :	
		Tel.(R) :	
Business/Occupation :	None	Email :	
Period of Insurance :	From 16:00 Hours of 14/02/2020 To MIDNIGHT of 14/03/2020		

Coinsurance	UIIC 140301 : 100%
Premium :	One thousand two hundred thirty-two rupees only

Sl.No	Description	Sum Insured (₹)
1	Coverage C (Death, Detour Expenses, Loss of Baggage, Permanent Partial Disablement, Permanent Total Disablement) - Sum Insured: ₹100000 each	5600000

Total Sum Insured: ₹5600000

Risks Covered:

Serial No.	Name	Age	Gender	Address	Assignee Name	Relationship with Insured	If Parents Or Guardians Will Be Participants, If So Specify Their Names	Parent Guardian Present
1	Abhishek Varshney	21	Male	JAIPUR	SatyaKumarVarshney	Father		
2	Aditi Singh	20	Female	JAIPUR	JogRajSingh	Father		
3	Chetan Gaur	21	Male	JAIPUR	RamanandGaur	Father		
4	Aryan Kaushik	20	Male	JAIPUR	SureshKaushik	Father		
5	Riya Goyal	20	Female	JAIPUR	LalitGoyal	Father		
6	Tanu Priya	21	Female	JAIPUR	SunilkumarSinha	Father		
7	Kirti Chauhan	21	Female	JAIPUR	SashiBhushansingh	Father		
8	Suchir Agrawal	20	Male	JAIPUR	NagendraAgrawal	Father		
9	Anmol Koul	21	Male	JAIPUR	VeerJeeKoul	Father		
10	Anuj Godara	21	Male	JAIPUR	HawaSinghGodara	Father		
11	Ujjwal Goyal	20	Male	JAIPUR	vedgoyal	Father		
12	Sparsh Jain	20	Male	JAIPUR	manojjain	Father		
13	Tushar Hada	20	Male	JAIPUR	Gopalpopli	Father		
14	Bhavya Vijay	20	Male	JAIPUR	RajendraKumarGupta	Father		
15	Bhavya Jain	20	Male	JAIPUR	MukeshJain	Father		
16	Arundhati Sharma	21	Female	JAIPUR	DineshKumarSharma	Father		
17	Vaibhav Sharma	20	Male	JAIPUR	DineshKumarSharma	Father		
18	Diya Patel	20	Female	JAIPUR	AjayPatel	Father		
19	Shreya Latala	21	Female	JAIPUR	CharanSingh	Father		
20	Raj Srivastava	21	Male	JAIPUR	BhupendraShrivastava	Father		
21	Baibhav Ranjan	21	Male	JAIPUR	Sureshkumarsingh	Father		
22	Atul Kumar	21	Male	JAIPUR	AnilKumarSrivastava	Father		
23	Pratik Raj	21	Male	JAIPUR	dipuKumar	Father		
24	Aryan Sharma	22	Male	JAIPUR	GajendraSharma	Father		
25	Shruti Vijay	21	Female	JAIPUR	MaheshKumarVijay	Father		
26	Gaurav Vaishnav	22	Male	JAIPUR	RameshChandraVaishnav	Father		
27	Riya Agarwal	22	Female	JAIPUR	RameshAgarwal	Father		
28	Shivani Khandelwal	22	Female	JAIPUR	MadhusudanKhandelwal	Father		
29	Riya Sharma	22	Female	JAIPUR	RadhaKishanSharma	Father		
30	Saurabh Ranani	22	Male	JAIPUR	UttamChandRanani	Father		
31	Umang Goenka	20	Male	JAIPUR	SushilAgarwal	Father		
32	Yash Vardhan Sharma	21	Male	JAIPUR	AnandSharma	Father		
33	Sakshi Samdani	21	Female	JAIPUR	RameshSamdani	Father		
34	Anjali Nyati	21	Female	JAIPUR	AshokKumarNyati	Father		
35	Peeyush Kumar Gangwal	21	Male	JAIPUR	RajendraKumarGangwal	Father		
36	Amisha Kabra	20	Female	JAIPUR	KamleshKabra	Father		
37	Ayushi Khandelwal	20	Female	JAIPUR	MahendraKhandelwal	Father		

38	Malvika Kushwah	21	Female	JAIPUR	MukeshKushwah	Father	
39	Kewal Yaduvanshi	20	Male	JAIPUR	NavalSinghYaduvanshi	Father	
40	kshitiz Aggarwal	20	Male	JAIPUR	ArvindAggarwal	Father	
41	Parth Goyal	20	Male	JAIPUR	RakeshGoyal	Father	
42	Ravi Sharma	21	Male	JAIPUR	BabulalSharma	Father	
43	Rahul Singhal	20	Male	JAIPUR	MukeshSinghal	Father	
44	Prabhav Mehta	20	Male	JAIPUR	ChandraPrakashMehta	Father	
45	Krati Bhadada	21	Female	JAIPUR	DilipBhadada	Father	
46	Lovey Agarwal	21	Female	JAIPUR	MahendraAgarwal	Father	
47	Anand Gupta	22	Male	JAIPUR	BhagirathLalGupta	Father	
48	Smriti Nayak	22	Female	JAIPUR	MukeshNayak	Father	
49	Soumya Hiranandani	20	Female	JAIPUR	TrilokHiranandani	Father	
50	Sanket Khandelwal	21	Male	JAIPUR	DineshKumarKhandelwal	Father	
51	Ritisha Kothari	21	Female	JAIPUR	RakeshKothari	Father	
52	Bhoopesh Kumawat	41	Male	JAIPUR	RampalKumawat	Father	
53	Anoop Mehta	30	Male	JAIPUR	PrakashChandraMehta	Father	
54	Yogita Taluja	28	Female	JAIPUR	BhagwanDas	Father	
55	Priyanka Mitra	28	Female	JAIPUR	PradeepMitra	Father	
56	Amit Kumar Sharma	33	Male	JAIPUR	NandKishorSharma	Father	

Special Condition: TOUR OPRATOR TRAVEL 1TO2 GO

Tour Details:

Date of Departure	Time of Departure	Scheduled Date of Return	Mode of Transport	Place of Visit	Name of the States	Arrangement of Travel/Stay
14/02/2020	16:00	20/02/2020	Rails	PUNJAB, HIMACHAL	TELANGANA	BY RAIL/ ROAD, IN HOTELS

Premium:	1,232.00
CGST(9%):	111.00
SGST(9%):	111.00
Stamp Duty:	5.00
Total (Rounded Off) :	1,454.00
Receipt Number :	10114030119115794056
Receipt Date:	14/02/2020

Agency/Broker Code :	AGD0085198
Dev. Officer Code :	
Direct Business :	

Customer GST/UIN No.:		Office GST No.:	08AAACU5552C1ZJ
SAC Code:	9971	Invoice No. & Date:	4219I114734513 & 14/02/2020
Amount Subject to Reverse Charges-NIL			

Anti Money Laundering Clause:-In the event of a claim under the policy exceeding ₹ 1 lakh or a claim for refund of premium exceeding ₹ 1 lakh, the insured will comply with the provisions of AML policy of the company. The AML policy is available in all our operating offices as well as Company's web site.

LET US JOIN THE FIGHT AGAINST CORRUPTION. PLEASE TAKE THE PLEDGE AT <https://pledge.cvc.nic.in>.

Date of Proposal and Declaration: 14/02/2020

IN WITNESS WHEREOF, the undersigned being duly authorised has hereunto set his/her hand at BO 1 JAIPUR 140301 on this 14th day of February 2020 .

**For and On behalf of
United India Insurance Co. Ltd.**

Affix Policy
Stamp here.

Duly Constituted Attorney(s)

Underwritten By - RIS28928 (BO UNDERWRITER)

GROUP MARGABANDHU POLICY

(The Document of Insurance (this document) shows the terms and conditions and exceptions this insurance policy is subject to. The Schedule shows the scope of cover applicable.

This document of Insurance shall be read in conjunction with the schedule as one document)

The insured by a proposal and declaration, which shall be the basis of and incorporated in this contract, having applied to United India Insurance Co. Ltd. (referred as the Company) for the insurance of persons named in the schedule, and having paid the requisite premium therefore this document of insurance has been issued.

The company agrees to pay to the insured person/s such amounts of benefits as are specified against each contingency if such loss arises entirely, directly, and proximately caused by any of the perils listed herein, occurring in India subject to the terms, conditions, exclusions and definitions described below.

SECTION I : (i) PERSONAL ACCIDENT :

1. If the insured person/s (aged between 5 & 70 years) sustain/s any bodily injury resulting solely, directly and proximately caused by accident during the currency of this policy by external, visible and violent means resulting in Death/Disablement then the company will pay to the Insured person/s, his/their assignee, his/their nominee, his/their legal personal representative as follows:
If such injury, within 6 calendar months of its occurrence, be the sole and direct cause of
 - a. Death of the insured person/s, then the capital sum insured (CSI) stated in the schedule
 - b. Total and irrecoverable loss of sight of both eyes; or total and irrecoverable loss of use of two limbs; or loss of sight of one eye and use of one limb, then CSI stated in the schedule.
 - c. Total and irrecoverable loss of sight of one eye; or total and irrecoverable loss of use of one limb, then 50% of the CSI stated in the schedule.
 - d. Permanent, total and absolute disablement preventing the insured from engaging in/being occupied with or giving attention to any employment or occupation or any description whatsoever, then CSI stated in the schedule.
 - e. Total and irrecoverable loss of use of or the actual loss by physical separation of the following, the percentage of the CSI as indicated below;

A	Loss of toes	20%
B	Loss of hearing of both ears	50%
C	Loss to hearing of one ear	15%
D	Loss of four entire fingers and entire thumb of one hand	40%
E	Loss of four entire fingers	35%
F	Loss of entire thumbs	25%
G	Loss of entire index fingers	10%
H	Loss of entire middle fingers	6%
I	Loss of entire ring fingers	5%
J	Loss of entire little fingers	4%
K	Any other permanent partial disablement percentage as assessed by the Doctor.	

SECTION I (ii)

If the insured person sustains any bodily injury proximately through accident during currency of this policy, then the Company reimburses the medical expenses, arising out of such accident, 25% of the admissible claim under the Accident Section or up to maximum of 10% of the CSI or the actual medical expenses incurred, whichever is lower.

BAGGAGE COVER EXTENSION:

1. The Policy is extended to cover, upon payment of the premium specified in the schedule, loss, destruction or damage to accompanied baggage due to accident or misfortune subject to a limit of Rs. 1,000/- per person.
2. The liability under this extension is limited to the actual value of the item lost/destroyed/damaged at the time of the loss/damage. Indemnity under this extension is not however extended to include pens, watches, toiletry, jewellery and valuables.

ADDITIONAL EXPENSES COVER EXTENSION:

The policy is extended to cover, upon payment of the additional premium, specified in the schedule additional expenses incurred towards alternative travel arrangement on account of detour caused solely by loss or damage to conveying vehicle due to accident, Act of God perils, Riot, Strike (only unannounced sudden strikes like lightning strike, flash strike, etc.) Terrorism, subject to a limit of Rs. 1000/- per person. The indemnity under this extension is net of refund obtained/obtainable from the Railways/ Road Transport or any other means of transport, travel by which has been affected by the perils. This extension will also take into account the expenses towards onward continuation of tour as a result of the cancellation or detour.

However this provision shall not apply if the deviation/change of route is under the orders of any Government Authority.

DEFINITIONS :

Cover 'A' stands for Section I(i) 1. a) and I(ii)
Cover 'B' stands for Sections 1(i) 1.a) to d) and I(ii)
Cover 'C' stands for Sections 1(i) 1.a) to e) and I(ii)

GENERAL EXCLUSIONS

Loss or damage directly or indirectly caused by or contributed to, by or arising from:

1. Gross negligence, violation of rules/guidelines framed by the organizers /school /college / authorities in the places of tour including overloading of vehicle, boat, yachts, pleasure crafts, influence of drugs, alcohol, intoxicating drinks and the like, any clandestine activity.
2. Outbreak of rivalry / dispute / violence among the group for any reason whatsoever.
3. War, Invasion, Act of foreign enemy, Hostilities (whether war be declared or not), Civil War, Rebellion Revolution, Insurrection, Mutiny, Military, or usurped power Capture, seizure, arrests , Restraints and detainment of all kings, princes and people of whatsoever nation, condition or quality.
4. Loss or damage due to wilfull misconduct and also any loss, damage or liability arising out of any act of commission/omission in which the insured or any member of his household or anyone in his employ is involved as principal or accessory.
5. Death or disablement due to pregnancy or child birth.
6. Consequential Loss/Legal liability of any kind or description.
7. Any loss or damage
 - a) Directly or indirectly caused by or contributed by or arising from ionizing radiation, contamination by radio activity from any nuclear fuel. For the purpose of this exception, combustion shall include any self-sustaining process of nuclear fission/fusion.
 - b) Directly or indirectly caused by or contributed to by or arising from nuclear weapons/ material.

SPECIAL EXCEPTIONS (BAGGAGE)

In addition to the general exceptions stated above the company shall not be liable in respect of:

- a. Loss or damage due to cracking, scratching, breakage of lens or glass, whether part of any equipment or otherwise or of China, Marble and other articles of brittle or fragile nature, unless such loss or damage arises from accident to vessel, train, vehicle or aircraft by which such property is conveyed.
- b. Loss or damage caused by depreciation or wear & tear.
- c. Theft from car except from a car of fully enclosed saloon type having all the doors, windows and other openings securely locked and properly fastened.
- d. Loss of or damage whilst being conveyed by any carrier under contract of affreightment
- e. Loss of or damage to money, securities, manuscripts, deeds, bonds, bills of exchange, promissory notes stock or share certificates, stamps, business books or documents, jewellery, watches, furs, precious metal precious stones, gold and silver ornaments, travel tickets, cheques and bank drafts.

ADDITIONAL EXPENSES COVER EXTENSION:

The policy is extended to cover, upon payment of the additional premium, specified in the schedule additional expenses incurred towards alternative travel arrangement on account of detour caused solely by loss or damage to conveying vehicle due to accident, Act of God perils, Riot, Strike (only unannounced sudden strikes like lightning strike, flask strike, etc.) Terrorism, subject to a limit of Rs. 1000/- per person. The indemnity under this extension is net of refund obtained/obtainable from the Railways/ Road Transport or any other means of transport, travel by which has been affected by the perils. This extension will also take into account the expenses towards onward continuation of tour as a result of the cancellation or detour.

However this provision shall not apply if the deviation/change of route is under the orders of any Government Authority.

DEFINITIONS :

Cover 'A' stands for Section I(i) 1. a) and I(ii)
Cover 'B' stands for Sections 1(i) 1.a) to d) and I(ii)
Cover 'C' stands for Sections 1(i) 1.a) to e) and I(ii)

GENERAL EXCLUSIONS

Loss or damage directly or indirectly caused by or contributed to, by or arising from:

1. Gross negligence, violation of rules/guidelines framed by the organizers /school /college / authorities in the places of tour including overloading of vehicle, boat, yachts, pleasure crafts, influence of drugs, alcohol, intoxicating drinks and the like, any clandestine activity.
2. Outbreak of rivalry / dispute / violence among the group for any reason whatsoever.
3. War, Invasion, Act of foreign enemy, Hostilities (whether war be declared or not), Civil War, Rebellion Revolution, Insurrection, Mutiny, Military, or usurped power Capture, seizure, arrests , Restraints and detainment of all kings, princes and people of whatsoever nation, condition or quality.
4. Loss or damage due to wilfull misconduct and also any loss, damage or liability arising out of any act of commission/omission in which the insured or any member of his household or anyone in his employ is involved as principal or accessory.
5. Death or disablement due to pregnancy or child birth.
6. Consequential Loss/Legal liability of any kind or description.
7. Any loss or damage
 - a) Directly or indirectly caused by or contributed by or arising from ionizing radiation, contamination by radio activity from any nuclear fuel. For the purpose of this exception, combustion shall include any self-sustaining process of nuclear fission/fusion.
 - b) Directly or indirectly caused by or contributed to by or arising from nuclear weapons/ material.

SPECIAL EXCEPTIONS (BAGGAGE)

In addition to the general exceptions stated above the company shall not be liable in respect of:

- f. Loss or damage due to cracking, scratching, breakage of lens or glass, whether part of any equipment or otherwise or of China, Marble and other articles of brittle or fragile nature, unless such loss or damage arises from accident to vessel, train, vehicle or aircraft by which such property is conveyed.
- g. Loss or damage caused by depreciation or wear & tear.

- h. Theft from car except from a car of fully enclosed saloon type having all the doors, windows and other openings securely locked and properly fastened.
- i. Loss of or damage whilst being conveyed by any carrier under contract of affreightment
- j. Loss of or damage to money, securities, manuscripts, deeds, bonds, bills of exchange, promissory notes stock or share certificates, stamps, business books or documents, jewellery, watches, furs, precious metal precious stones, gold and silver ornaments, travel tickets, cheques and bank drafts.
- k. Loss or damage to articles which did not form part of the contents of any of the packages when the journey commenced, unless specifically declared and accepted by the company. Such intention to have the items purchased during the tour to be covered has to be mentioned in advance and noted in the policy schedule. Limit on loss/damage to such purchases will be Rs. 500 per person.
- l. Loss, destruction of or damage to articles of consumable nature.
- m. Loose articles such as sticks, straps, umbrellas, sun shades, fans deck chairs, property in use on the voyage and/or journey or clothes whilst being worn.

SPECIAL EXCEPTION (PERSONAL ACCIDENT)

In addition to the general exceptions stated above the company shall not be liable under this policy for

- a. Compensation under more than one of the foregoing sub-clauses I(i)1.a) to I(i)1.e) in respect of the same period of disablement.
- b. Any other payment after a claim under one of the Benefits I(i)1.a) to I(i)1.e) has been admitted and become payable.
- c. Any payment in case of more than one claim under the policy during any one period of insurance by which the maximum liability of the Company in that period would exceed the sum payable under Benefits I (i) of this policy.
- d. Payment of compensation in respect of death, injury or disablement of the Insured.
 - (i) from intentional self-injury, suicide or attempted suicide.
 - (ii) Whilst under the influence of intoxicating liquor or drugs.
 - (iii) whilst mounting into, dismounting from or travelling in any balloon or aircraft other than as a passenger (fare paying or otherwise) in any duly licensed standard type of aircraft.
 - (iv) directly or indirectly caused by venereal diseases or insanity
 - (v) arising or resulting from the Insured committing any breach of law with criminal intent.
- e. Death or disablement resulting directly or indirectly caused by contributed to or aggravated or prolonged by child birth or pregnancy or in consequence thereof.

GENERAL CONDITIONS

1. Every notice and communication to the company as required by this policy shall be in writing
2. This policy shall be void in the event of misrepresentation, mis-description or non disclosure of any material particular.
3. In the event of theft of baggage a complaint to be lodged with the nearest police station and all practical steps to apprehend guilty person should be taken to recover the property lost.
4. Upon the occurrence of any event giving rise or likely to give rise to a claim, immediate notice thereof to the company should be given and the same should be forwarded to the company forthwith.
5. If any dispute or difference shall arise as to the quantum to be paid under this policy (liability being otherwise admitted) such difference shall independently of all other questions be referred to the decision of a sole arbitrator to be appointed in writing by the parties to or if they cannot agree upon a single arbitrator within 30 days of any party invoking arbitrators, comprising of two arbitrators, one to be appointed by each of the parties to the dispute/difference and the third arbitrator to be appointed by such two arbitrators and arbitration shall be conducted under and in accordance with the provisions of the Arbitration and Conciliation Act, 1996.
It is clearly agreed and understood that no difference or dispute shall be referable to arbitration as hereinbefore provided, if the Company has disputed or not accepted liability under or in respect of this policy.
It is hereby expressly stipulated and declared that it shall be a condition precedent to any right of action or suit upon this policy that the award by such arbitrator/arbitrators of the amount of the loss or damage shall be first obtained
6. If the Company shall disclaim the liability to the insured for any claim such hereunder and such claim shall not, within 12 calendar months from the date of disclaimer, have been made the subject matter of a suit in a court of law, then the claim shall for all purpose be deemed to have been abandoned and shall not be recoverable.

7. The due observance and fulfillment of the terms, conditions and endorsements of this policy in so far as they relate to anything to be done or complied with by the insured shall be a condition precedent to any liability of the company to make any payment under this policy.
8. The Company may at any time cancel the Policy on grounds of misrepresentation, fraud, non-disclosure of material fact or non-cooperation by the insured by sending fifteen days notice in writing by Registered A/D to the insured at his last known address in which case the Company shall return to the insured a proportion of the last premium corresponding to the unexpired period of insurance if no claim has been paid under the policy. The insured may at any time cancel this policy and in such event the Company shall allow refund of premium at Company's short period rates provided no claim has occurred upto the date of cancellation.

DEFINITIONS:

1 ACCIDENT

- Accident - An accident is a sudden, unforeseen and involuntary event caused by external and visible and violent means
- "Acute condition" - Acute condition is a disease, illness or injury that is likely to respond quickly to treatment which aims to return the person to his or her state of health immediately before suffering the disease/illness/injury which leads to full recovery.
- B. "Chronic condition" - A chronic condition is defined as a disease, illness, or injury that has one or more of the following characteristics -
- i. it needs ongoing or long-term monitoring through consultations, examinations, check-ups and/or tests -
 - ii. it needs ongoing or long-term control or relief of symptoms
 - iii. it requires your rehabilitation or for you to be specially trained to cope with it
 - iv. it continues indefinitely
 - v. it comes back or is likely to come back.

2 CONGENITAL ANOMALY

- Congenital Anomaly refers to a condition(s) which is present since birth, and which is abnormal with reference to form, structure or position.
- a. Internal Congenital Anomaly
Which is not in the visible and accessible parts of the body.
 - b. External Congenital Anomaly
Which is in the visible and accessible parts of the body.

3 CONDITION PRECEDENT

Condition Precedent shall mean a policy term or condition upon which the Insurer's liability under the policy is conditional upon.

4 CONTRIBUTION

Contribution is essentially the right of an insurer to call upon other insurers liable to the same insured to share the cost of an indemnity claim on a rateable proportion.

5 DAY CARE CENTRE

- Day Care centre means any institution established for day care treatment of illness and/or injuries or a medical set-up within a hospital and which has been registered with the local authorities, wherever applicable, and is under the supervision of a registered and qualified medical practitioner AND must comply with all minimum criteria as under :
- a. Has qualified nursing staff under its employment
 - b. Has qualified Medical Practitioner(s) in charge
 - c. Has a fully equipped operation theatre of its own where surgical procedures are carried out-
 - d. Maintains daily records of patients and will make these accessible to the Insurance Company's authorized personnel.

6 DAY CARE TREATMENT - Day Care treatment means the medical treatment and/or surgical procedure which is -(i). Undertaken under General or Local Anesthesia in a hospital/day care centre in less than 24 hrs because of technological and (ii) which would have otherwise required a hospitalisation of more than 24 hours. Treatment normally taken on an out-patient basis is not included in the scope of this definition.

7 DEDUCTIBLE

Deductible is a cost sharing requirement under a Personal Accident Insurance Policy that provides that the Insurer will not be liable for a specified rupee amount in case of Indemnity policies and for a specified number of days/hours in case of hospital cash policies which will apply before any benefits are payable by the insurer. A deductible does not reduce the sum insured.

8 HOSPITAL/NURSING HOME

A Hospital means any institution established for in-patient care and day care treatment of illness and/or injuries and which has been registered as a Hospital with the local authorities under the Clinical establishments (Registration and Regulation) Act, 2010 or under the enactments specified under the Schedule of Section 56(1) of the said Act OR complies with all minimum criteria as under

- Has qualified nursing staff under its employment round the clock.
- Has at least 10 in-patient beds in towns having a population of less than 10 lacs and at least 15 in-patient beds in all other places;
- Has qualified medical practitioner(s) in charge round the clock;
- Has a fully equipped Operation Theatre of its own where surgical procedures are carried out;
- Maintains daily records of patients and makes these accessible to the insurance company's authorized personnel.

The term 'Hospital / Nursing Home ' shall not include an establishment which is a place of rest, a place for the aged, a place for drug-addicts or place for alcoholics, a hotel or a similar place.

9 HOSPITALISATION

Means admission in a Hospital/Nursing Home for a minimum period of 24 In-patient care consecutive hours except for specified procedures/treatments, where such admission could be for a period of less than 24 consecutive hours.

10 INJURY

Injury means accidental physical bodily harm excluding illness or disease solely and directly caused by external, violent and visible and evident means which is verified and certified by a Medical Practitioner.

11 IN-PATIENT CARE

In-patient care means treatment for which the insured person has to stay in a hospital for more than 24 hours for a covered event.

12 INTENSIVE CARE UNIT

The term "Intensive Care" unit means an identified section, ward or wing of a hospital which is under the constant supervision of a dedicated Medical Practitioner(s), and which is specially equipped for the continuous monitoring and treatment of patients who are in a critical condition, or require life support facilities and where the level of care and supervision is considerably more sophisticated and intensive than in the ordinary and other wards.

13 MEDICAL ADVISE

Medical Advise - Any consultation or advice from a Medical Practitioner including the issue of a any prescription or repeat prescription.

14 MEDICAL EXPENSES

Medical expenses - Medical Expenses means those expenses that an Insured person has necessarily and actually incurred for medical treatment on account of illness or Accident on the advice of a Medical Practitioner, as long as these are no more than would have been payable if the Insured Person had not been insured and no more than other hospitals or doctors in the same locality would have charged for the same medical treatment.

15 MEDICALLY NECESSARY

Medically Necessary treatment is defined as any treatment, tests, medication, or stay in hospital or part of a stay in hospital which

- a. Is required for the medical management of the illness or injury suffered by the insured;
- b. Must not exceed the level of care necessary to provide safe, adequate and appropriate medical care in scope, duration or intensity;
- c. Must have been prescribed by a Medical Practitioner;
- d. Must conform to the professional standards widely accepted in international medical practice or by the medical community in India.

16 MEDICAL PRACTITIONER

A Medical Practitioner is a person who holds a valid registration from the Medical Council of any State of India or Medical Council of India or Council for Indian Medicine or for Homeopathy set up by the Government of India or a State Government and is thereby entitled to practice medicine within its jurisdiction; and is acting within the scope and jurisdiction of licence.

The term Medical Practitioner would include Physician, Specialist and Surgeon. (The Registered Practitioner should not be the insured or close family members such as parents, in-laws, spouse and children).

17 NOTIFICATION OF CLAIM

Notification of claim is the process of notifying a claim to the insurer or TPA by specifying the timelines as well as the address/telephone number to which it should be notified.

18 ROOM RENT

Room rent shall mean the amount charged by a hospital for the Occupancy of a bed on per day (24 hours) basis and shall include associated medical expenses.

19 SUBROGATION

Subrogation shall mean the right of the insurer to assume the rights of the insured person to recover expenses paid out under the policy that may be recovered from any other source.

20 SURGERY OR SURGICAL PROCEDURE

Surgery or Surgical Procedure means manual and/or operative procedure(s) required for treatment of an illness or injury, correction of deformities and defects, diagnosis and cure of diseases, relief of suffering or prolongation of life, performed in a hospital or day care centre by a Medical Practitioner.

Disclosure to Information Norm

The policy shall be void and all premium paid hereon shall be forfeited to the Company, in the event of mis-representation, mis-description, or non-disclosure of any material fact.

BHRAMANN: Travel to Conquer Space and Time

REPORT

On

INDUSTRIAL TOUR

February 14, 2020 – February 20, 2020

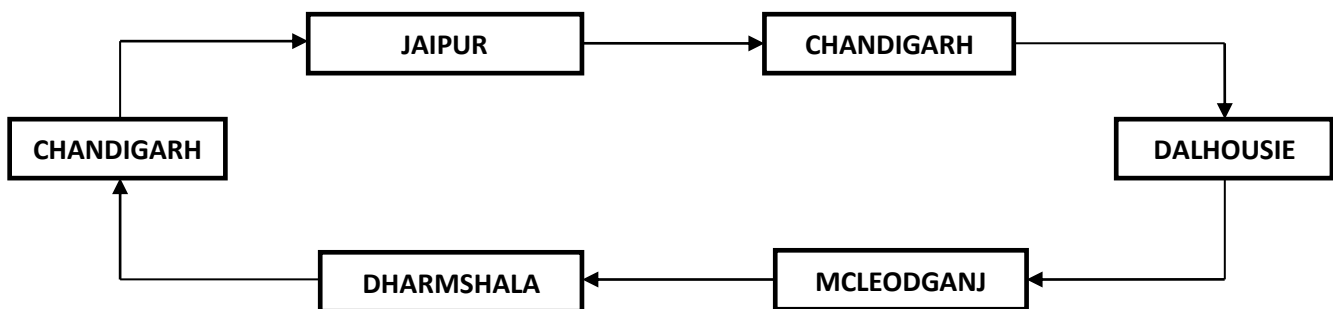


Organised by:

Jaipur Engineering College & Research Centre

Jaipur

TOUR – MAP



TOUR – PLAN

Day 1 (February 14, 2020): Departure from Jaipur to Chandigarh by Train (Overnight Journey).

Day 2 (February 15, 2020): Check-in to Hotel, Industry Visit, Rock Garden, in evening departure from Chandigarh to Dalhousie (Overnight Journey).

Day 3 (February 16, 2020): In morning Check-in to Hotel, Sight-seeing, DJ Night and Stay at hotel.

Day 4 (February 17, 2020): Morning after breakfast checkout from hotel & proceed for Mcleodganj, on arrival check inn hotel after lunch visit local market, in evening back to hotel after dinner stay at hotel.

Day 5 (February 18, 2020): After breakfast visit Bhagsu Waterfall, after lunch visit HPCA Stadium & War Memorial in Dharmshala, in evening back to hotel after dinner planned bonfire and stay at hotel.

Day 6 (February 19, 2020): Morning after breakfast checkout from hotel & proceed for Chandigarh, Lunch on midway, Visit Rose Garden in Chandigarh and departure from Chandigarh to Jaipur by Train (Overnight Journey).

Day 7 (February 20, 2020): Reach to Jaipur in the morning.

FACULTY- COORDINATORS

1. Mr. Bhoopesh Kumawat (ECE)
2. Mr. Anoop Kumar Mehta (CSE)
3. Ms. Yogita Taluja (ECE)
4. Ms. Priyanka Mitra (CSE)

TOUR-AGENCY

Travel12Go

STUDENTS

Total Number: 51

Department wise:

CSE: 26

ECE: 18

IT: 05

EE: 02

Gender wise:

Girls: 21

Boys: 30

DAY 07. Jaipur

Morning 6.15 am reach Jaipur railway station. .

Tour End with Happy Memories

Industry

- Microtek

INCLUSION

1. HOTEL ACCOMMODATION 3 STAR AT 4 SHARING
2. TRANSPORTATION (NON AC)
3. BREAKFAST LUNCH & DINNER
4. RETURN TRAIN TICKET 3 TIRE AC
5. INDUSTRY VISIT
6. ALL MAJOR SIGHT SEEING
7. 1 BOTTLE MINERAL WATER PER DAY
8. 1 DJ PARTY
9. 1 BORN FIRE
10. FIRST AID KIT
11. ON THE WAY MEAL
12. ONLY TEACHER WILL BE COMPLIMENTARY 15:1
13. GUIDE SERVICE
14. TRAVEL INSURANCE TILL 1 LAKH
15. TOLL TAX PARKING DRIVERS ALLOWANCES

COST DOES NOT INCLUDE

1. 5 % GST
2. ANY PORTER CHARGES.
3. ANY PERSONAL NATURE EXPENDITURE LIKE HORSE RIDING , BOOT COAT , BOAT RIDE ,RIVER RAFTING
4. ANYTHING NOT MENTIONED UNDER COST INCLUDED ITEMS
5. ANY USES IN THE HOTEL LIKE TELEPHONE, LAUNDRY.
6. ANY DAMAGE/DESTROY IN THE HOTEL ROOM BY CLIENTS, WILL BE DIRECTLY CHARGEABLE TO CLIENTS

PAYMENT TERMS:

1. 50% OF THE COMPLETE PACKAGE AMOUNT (PERTAINING TO THE MINIMUM GUARANTEE OF STUDENT COUNT) AT THE TIME OF BOOKING OF THE PACKAGE;
2. 40% OF THE REST AMOUNT TO BE PAID 15 DAYS BEFORE THE DATE OF DEPARTURE
3. 10% OF THE REST AMOUNT TO BE PAID WITHIN 7 DAYS OF COMPLETION OF TOUR.

TERMS AND CONDITIONS:

1. Rates mentioned in this contract are applicable only for this Conference/Leisure Trip/Offsite/Training Program/Event to be held on the date mentioned in this proposal.
2. Early check-in and late check-out will be charged additionally as per subject to the hotel policies. If there be any reduction in the minimum guaranteed number of pax, Travel12go.
3. Travel12go will charge on the minimum guaranteed number of pax as per the contract and if the number of pax increases, then the billing will be done on the actual number of pax.
4. We would require the signed copy of the contract along with advance payment on the day of signing this contract.
5. We would require the request for additional services if there any, in writing before 10 days from the departure date of Conference/Leisure Trip/Offsite/Training Program/Event and it will be charged extra.
6. All Government policies/regulations prevalent during the time of signing the contract will apply. Travel12go will not be held responsible for any subsequent changes in the government policies, rules and/or regulations. Although no effort will be spared to provide the requested services, travel12go only as agent for Transportation Companies, Hotels, Car operators, Raft operators, DJs,
7. Travel12go reserves the right without being liable for any loss or damage, to change the itinerary with or without notice and at its sole discretion, if found to be in the best interest of all concerned.
8. All disputes will be settled subject to the jurisdiction of rajasthan Courts as per the Laws Prevalent in India at the time of signing the contract.
9. Stage makers, dancer, celebrities and all other contractors, and will therefore have to disclaim responsibility for:
 - i. Any loss, damage or miss-happening what so ever to any person, luggage or property during the entire journey or at the place of stay or during sightseeing or any adventure or other activity.
 - ii. Delay or alteration in programs or expenses due to unforeseen circumstances.
 - iii. Strikes, vehicle breakdown, sickness, or civil unrest and other problems beyond the control of the company

TOUR BANNER



TOUR T-SHIRT



TOUR-DETAIL

Day 1 (14.02.2020)

- Assembled at Gate No. 1, Railway Station Jaipur, Main Junction at 06:00 PM
- Moved to Platform No. 1 with all 51 students and 4 faculties
- Train departed for Chandigarh at 8:10 PM

Day 2 (15.02.2020)

- Train arrived Chandigarh Station at 6:45 AM
- Way to Hotel by Bus
- Checked-in Hotel at 8:00 AM
- After fresh & breakfast proceed for Industrial visit (Microtek)
- After lunch move to Chandigarh sightseeing
- After dinner departed for Dalhousie.

Day 3 (16.02.2020)

- Checked-in Hotel President in Dalhousie at 8 AM
- After fresh & breakfast proceed for Sightseeing
- Taken lunch at 2:30 PM
- Enjoyed shopping in local market in evening
- DJ Night was arranged in hotel followed by dinner

Day 4 (17.02.2020)

- Had breakfast at 7:30 A.M. and departed for Mcleodganj.
- Checked-in Hotel Citrus Mcleodganj at 3:00 PM
- After lunch visit Namgyal Monastery & Local Market
- Had dinner at 9:30 PM

Day 5 (18.02.2020)

- Had breakfast at 7:30 AM
- Enjoyed at Bhagsu Waterfall
- After lunch visit HPCA Stadium & War Memorial in Dharamshala
- Bonfire was arranged in hotel followed by dinner

Day 6 (19.02.2020)

- Had breakfast at 7:30 AM and departed for Chandigarh.
- Enjoyed lunch on midway with some fun activity
- In evening, visit Rose Garden at Chandigarh
- Departed for Jaipur at 7:40 PM


Day 7 (20.02.2020)

- Reached Jaipur-Junction at 6:15 AM

INDUSTRY VISITS

Microtek, Chandigarh

Address: Industrial Area, Chandigarh, Punjab


JAIPUR ENGINEERING COLLEGE
AND RESEARCH CENTRE

Ref: JECRC/2020/IT/002 Date: 12/02/2020

To

The HR Manager
MICROTEK,
PARBWANOD, HP.

SUB: Permission for Industrial Visit – B.Tech

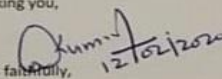
Sir/Madam,

As you may be aware, Jaipur Engineering College & Research Centre, Jaipur is one of the most reputed engineering institutions in Rajasthan and known for its excellent record in academics and co-curricular activities. The college offers bachelors degree course in ECE, EE, CSE, ME and IT branch. The state of art facilities and competent faculty provide an excellent climate for the all round development of students.

As a part of the curriculum, the students are required to undertake industrial visits to few industries of repute. It will be fruitful for students with academic background to have a glimpse of the industry in order to have a better knowledge of practical applications of theory. In the above background we would like to send a batch of about 51 students accompanied by 4 faculty members to visit your esteemed industry.


We kindly request you to accord the necessary permission for the above visit and arrange for guiding the students. We assure you that our students will follow the rules and regulations that are prescribed by your company for the visitors and will in no way disturb the functioning of the company during their visit. We shall be grateful for a favorable response.

Thanking you,


Yours faithfully, 12/02/2020

Training and Placement Coordinator
(NARGESH KUMAR)

*Students visited at Plant
on 15/02/2020
for Microtek Enterprise
Raj Chopra
15/02/20*

 **JECRC Foundation**
www.jecrcfoundation.com

Jaipur Engineering College and Research Centre
Approved by AICTE & Affiliated to RTU
JECRC Campus, Shri Ram Ki Nangal,
Via Sitapura RIICD, Opp. EPIP Gate, Tonk Road, Jaipur 302 022
t: 0141 2770120, 2770232 e: info@jecrcmail.com

Overview: MICROTEK INTERNATIONAL PVT. LTD. is the country's Largest Power Products manufacturer having products like LINE INTERACTIVE UPS, ONLINE UPS etc. MICROTEK has set up State-of-the-art automatic Manufacturing Plants equipped with Hi-Tech Machines. Some of them are SMT, ICT and Automatic Assembly Lines etc.

MICROTEK has set up modern In-house Comprehensive R&D, comprising of a team of highly qualified and experienced professionals. The R&D is fully equipped with the latest design software, development hardware with testing, and field condition simulation equipment. It is one of the leading manufacturers of wires, inverters and other electrical appliances. It was altogether a productive workplace with lots of Power Electronics Products ranges Home UPS, Solar, Line-Interactive, Online UPS, Wires and Cables, Switchgear, E-Rickshaw Battery Chargers.



A view of the Microtek Chandigarh Building

MICROTEK Group consists of 8 State-of-the-Art, Most Sophisticated Latest Hi-Tech Plants, Spread all across India, right from Delhi, Sonapat & Gurgaon (Haryana), to Parwanoo (Himachal Pradesh). The Plants are equipped with Most Advanced Machinery imported from Italy, Germany, Japan, Korea, and Taiwan. Most of the manufacturing is done by an automatic process, thereby leaving the least scope of human error. Some of the major machines installed in our plants are, ICT (In-Circuit Testing), SMT (Surface Mount Technology), Auto Insertion, and various assembly lines for different products. The manufacturing plants, each specializing in different sphere of the industry has made it possible for Microtek to harness the World's latest technology, perfect it and incorporate it in its product range, for the user's benefit. It is this dedication of mastering its chosen field by continuously upgrading and investing that has won Microtek national awards and international recognition.

Sections based on products:

The first section was of wire manufacturing. There were different metal wires of various sizes and diameters which were made and rolled up in reels chronologically. Also, the wires were coated with rubber and plastic coverings and rolled up in big reels.

The other sections held socket manufacturing and other appliances. The plant had one section of the circuit boards manufacturing just like Arduino and Raspberry pi. Almost all these sections had automated machines based on appliances priority which was governed by employees present over there.

At last, the students were taken to the canteen/cafeteria for snacks and then a picture with all the members and company officials was taken.

Visit Picture:



REMINISCENCES



@Microtek, Chandigarh



@Chandigarh Railway Station



@Hotel President, Dalhousie



@HPCA Stadium, Dharamshala



@War Memorial, Dharamshala



@Bhagsu Waterfall, Mcleodganj

Full Name	RTU Roll No.	Branch	Semester	Gender	Area of Industrial Visit	Area of Industrial Visit h	Give overall rating to Industrial Visit.	Do you advise to arrange this type of visit in future?	Give your comments on visit
Smriti nayak	16EJCEC817	ECE	VIII	Female	Electronic	Yes	Good	Yes	It was well arranged
Abhishek Varshney	17EJCCS006	CSE	VII	Male	Microtek ii	Yes	Excellent	Yes	Amazing and supportive teachers. These trips are really helpful in holistic development of students.
Ayushi Khandelwal	17EJCCS036	CSE	VII	Female	Manufactu	Yes	Very Good	Yes	It was educational as well as entertaining trip recreational and educative visit. should be arranged for the new batches in the future.
Anmol Koul	17EJCCS026	CSE	VII	Male	Manufactu	Yes	Excellent	Yes	It was a great experience.
Suchir Agrawal	17EJCCS168	CSE	VI	Male	Computer	Yes	Excellent	Yes	Amazing visit
Anuj Godara	17EJCCS028	CSE	VII	Male	Electrical	Yes	Excellent	Yes	Learned a lot , enjoyed a lot , trips like this must be made often
Bhavya Jain	17EJCCS040	CSE	VII	Male	Computer	Yes	Excellent	Yes	they didnt take us to khajiyar and also the time at dharamshala was very less
Aditi Singh	17EJCCS009	CSE	VII	Female	Himachal f	Yes	Good	Yes	Got to learn new domains
Arundhati Sharma	17EJCCS712	CSE	VI	Female	To know h	Yes	Very Good	Yes	Industrial visit was very good.
Lovey Agarwal	16EJCEC103	ECE	VIII	Female	.	Yes	Very Good	Yes	Nice experience
Malvika Kushwah	17EJCCS096	CSE	VII	Female	Electronics	Yes	Very Good	Yes	Fun and knowledgeable visit
Sanket Khandelwal	16EJCEC193	ECE	VIII	Male	Wiring anc	Yes	Very Good	Yes	Trip was awesome
Kirti Chauhan	17EJCEC098	ECE	VII	Female	Not remen	Yes	Average	Yes	It was a great experience.
Kewal Yaduvanshi	17EJCCS081	CSE	VII	Male	Chandigarh	Yes	Very Good	Yes	It was good
Diya Patel	17EJCCS719	CSE	VII	Female	Cable man	Yes	Excellent	Yes	
Riya Goyal	17EJCCS148	CSE	VII	Female	Computer	Yes	Excellent	Yes	Very good arrangements and support by faculty
Sparsh jain	17EJCCS167	CSE	VII	Male	exposure t	Yes	Excellent	Yes	This was really amazing trip.
Anjali Nyati	16EJCEC019	ECE	VIII	Female	Optical fib	Yes	Excellent	Yes	It was very knowledgeable.
Kshitiz Aggarwal	17EJCCS088	CSE	VII	Male	Ok	Yes	Excellent	Yes	Great experience
Shreya latala	17EJCCS753	CSE	VII	Female	Bhraman	Yes	Very Good	Yes	NA
Riya Agarwal	16EJCEC175	ECE	VIII	Female	Microtek v	Yes	Very Good	Yes	Overall nice experience
Ujjwal Goyal	17EJCCS183	CSE	VII	Male	Computer	Yes	Excellent	Yes	:) It was a great visit to understand the actual site procedures and working of the machines on the factory. It helped to understand the on ground mechanics and efforts of the people people involved.
Tushar Hada	17EJCCS182	CSE	VII	Male	Electronic	Yes	Excellent	Yes	It was great to see the working of machines and mechanics of the system in the factory and how everything comes together to implement the task efficiently
Tanu Priya	17EJCCS175	CSE	VII	Female	Electronic	Yes	Excellent	Yes	